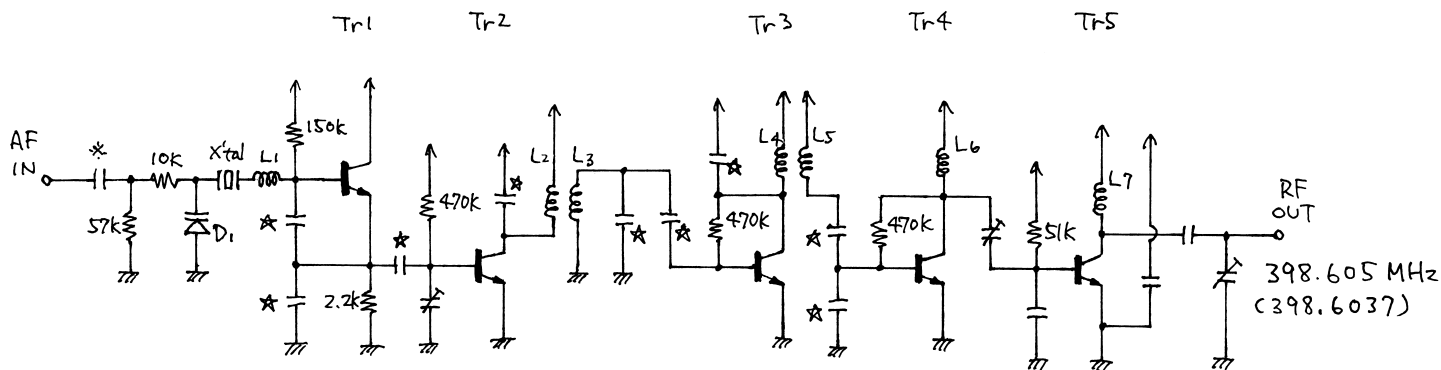
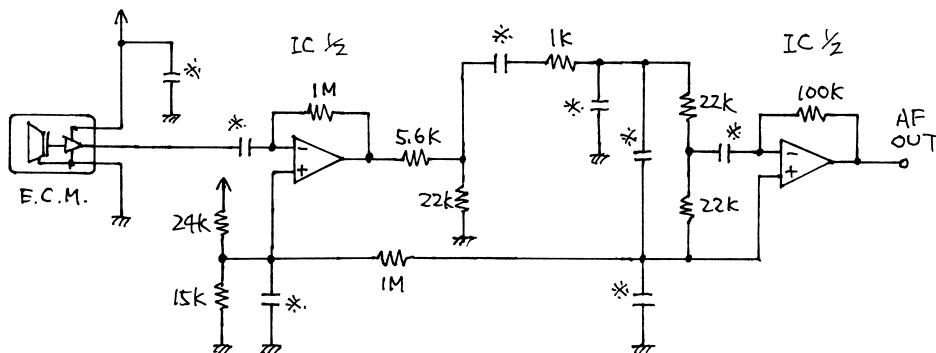


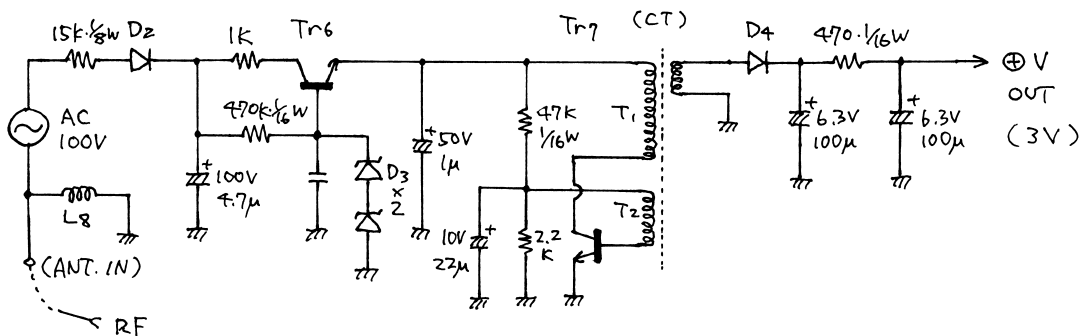
# RF Section



# AF Section



# Power Section



# Parts Data

IC (OP AMP) : NJM2904 (JRC)

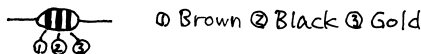
Tr1 :  
 Tr2 : } 2SC4215-Y  
 Tr3 : }  
 Tr4 : }

Tr5 : 2SC4226  
 Tr6 : NID (← Not Identified)  
 Tr7 : NID

D1 : 15V259  
 D2 : 3EF10-E  
 D3 : NID ("2432" marked)  
 D4 : NID

X'tal : 14.7631 MHz

L1 : NID



L2 : } Coiled 0.5φ Copper Wire. 8 times

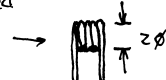
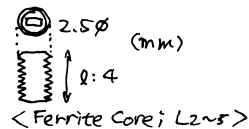
L3 : } Around Ferrite Core. →

L4 : } Coiled 0.5φ Copper Wire. 6 times

L5 : } Around Ferrite Core. →

L6 : Coreless 6 times Around 2φ Coiled  
 0.4φ Copper Wire

L7 : Coreless 5 times Around 2φ Coiled  
 0.4φ Copper Wire



CT : NID

C (\*): RF Condenser (NID)

C (\*): AF Condenser (NID)